

# CCS Technical Documentation

## NAM-2 Series Transceivers

# Service Tools

This page intentionally left blank.

**Table of Contents**

	Page No
MJS-9 Module Test Jig .....	5
Product Code .....	5
View of MJS-9 .....	5
LRK-1 Rework Kit.....	6
Sales package code.....	6
View of MJS-54 and SES-1 .....	6
FPS-8 Flash Prommer & ACS-10 Power Supply Module (Sales Pack).....	7
Sales Package Code.....	7
View of FPS-8 .....	7
ACF-8 Universal Power Supply .....	8
Product Code .....	8
View of ACF-8.....	8
FLA-10 POS (Point Of Sale) Flash Loading Adapter .....	9
Product Code .....	9
View of FLA-10 .....	9
FLC-2 DC Cable .....	10
Product Code .....	10
View of FLC-2 .....	10
AXS-4 Service Cable .....	11
Product Code .....	11
View of AXS-4.....	11
XCS-1 Service Cable .....	12
Product Code .....	12
View of XCS-1 .....	12
SW Security Device PKD-1.....	13
Product Code .....	13
View of SW Security Device .....	13
Dongle/Flash Device FLS-2D (Sales Pack).....	14
Product Code .....	14
View of FLS-2D.....	14
Sales Pack Contents .....	14
FLS-2D Connection Diagram .....	15
PCS-1 Power Cable.....	16
Product Code .....	16
View of PCS-1 .....	16
XRF-1 RF Cable .....	17
Product code.....	17
View of XRF-1 .....	17
DAU-9S MBUS Cable.....	18
Product Code .....	18
View of DAU-9S.....	18
CA-5S DC Cable.....	19
Product Code .....	19
View of CA-5S .....	19
XCS-4 Modular Cable .....	20
Product Code .....	20
View of XCS-4.....	20

Printer Cable .....	21
Product Code .....	21
View of Printer Cable.....	21
Other Service tools for NAM-2 .....	22
FLS-4S POS Flash Device .....	22
JBU-6 Service Box .....	22
SCD-6 Pinset Cable .....	22
ALL-6 Adjustable locking lever for JBU-6 .....	22
RL-6 RF Coupler for testing .....	22
XRS-3 RF cable for JBU-4 .....	22
MJS-75 Soldering Jig .....	22
SRT-3 Battery Connector Extractor Tool .....	22

## MJS-9 Module Test Jig

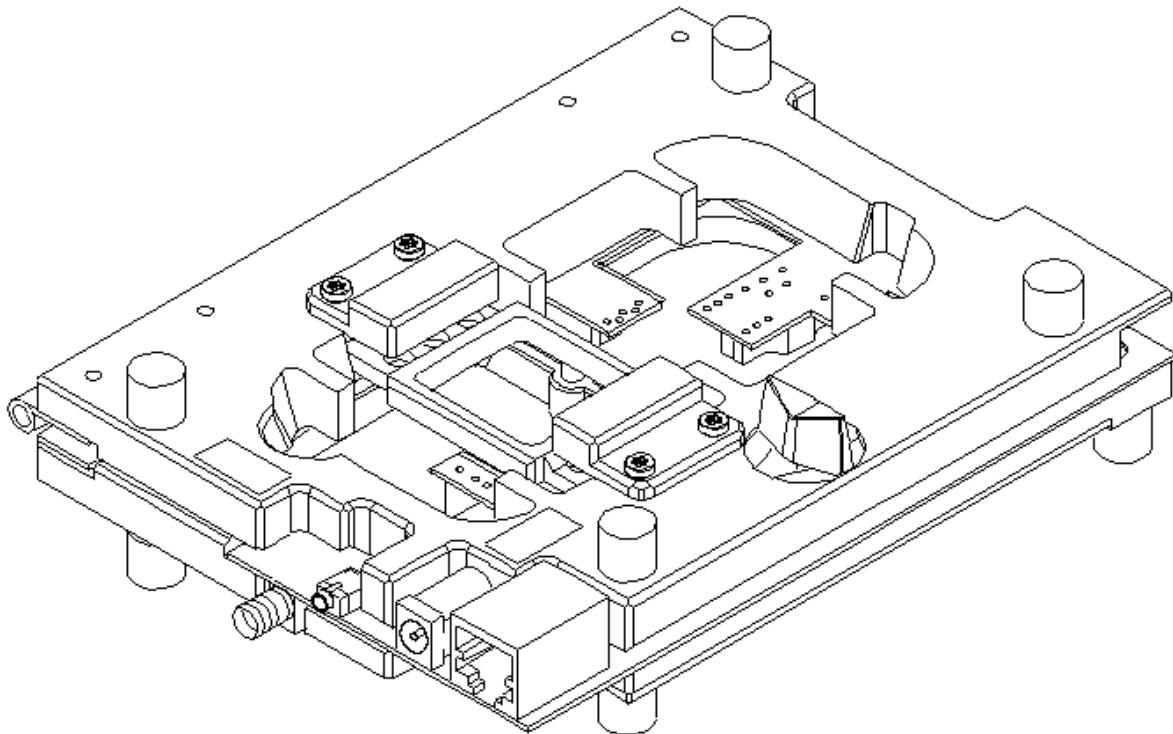
Module Test Jig MJS-9 is used for testing the LA4 module.

### Product Code

MJS-9 Module Test Jig:

0770154

### View of MJS-9



### Note:

The nominal supply voltage for MJS-9 is +8.0 V.  
The supply voltage must not exceed +12.0 V (min 5V).  
(MJS-9 has overvoltage protection).  
For flashing with FPS-8, it is possible to use the ACS-10 option  
of the flashbox.

## LRK-1 Rework Kit

The LRK-1 Rework Kit is used for PA Chip (LGA type component) rework and includes Rework Jig MJS-54, SES-1 Stencil and SPS-1 Soldering Paste Spreader.

The sales pack includes:

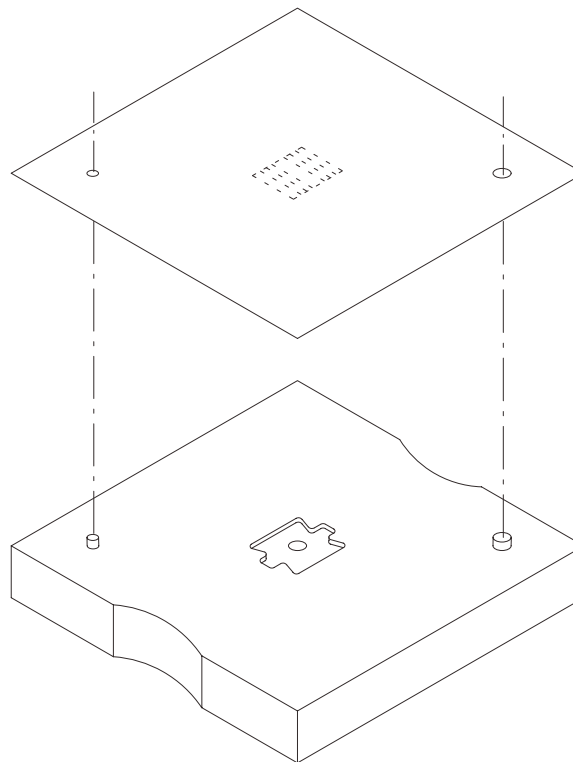
MJS-54 Rework Jig:	0770349
SES-1 Stencil:	0770348
SPS-1 Soldering Paste Spreader:	0770381

Note: Not included in sales package:  
SPI- 1 Soldering Paste Injector 0770380

### Sales package code

LRK-1 Rework Kit: 0080465

### View of MJS-54 and SES-1



## FPS-8 Flash Prommer & ACS-10 Power Supply Module (Sales Pack)

The Flash Prommer FPS-8 is used with e.g. MJF-3 and JVB-1. Power is supplied to FPS-8 from the Universal Power Supply.

The sales pack includes:

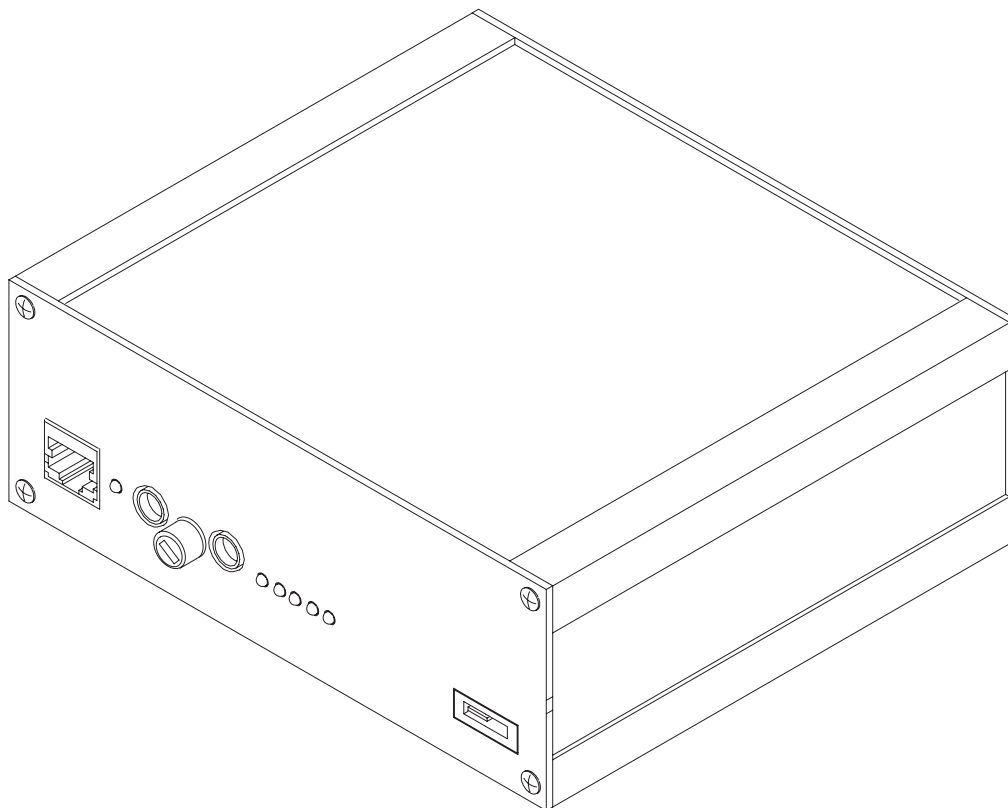
- |                               |         |
|-------------------------------|---------|
| • FPS-8 Flash Prommer         | 0750123 |
| • FPS-8 Activation Sheet      | 9359289 |
| • Universal Power Supply      | 0680032 |
| • AXS-4 Service Cable (D9-D9) | 0730090 |
| • Printer cable               | 0730029 |

### Sales Package Code

FPS-8 Flash Prommer: 0080321

ACS-10 Power Supplier Module 0770340

### View of FPS-8



## ACF-8 Universal Power Supply

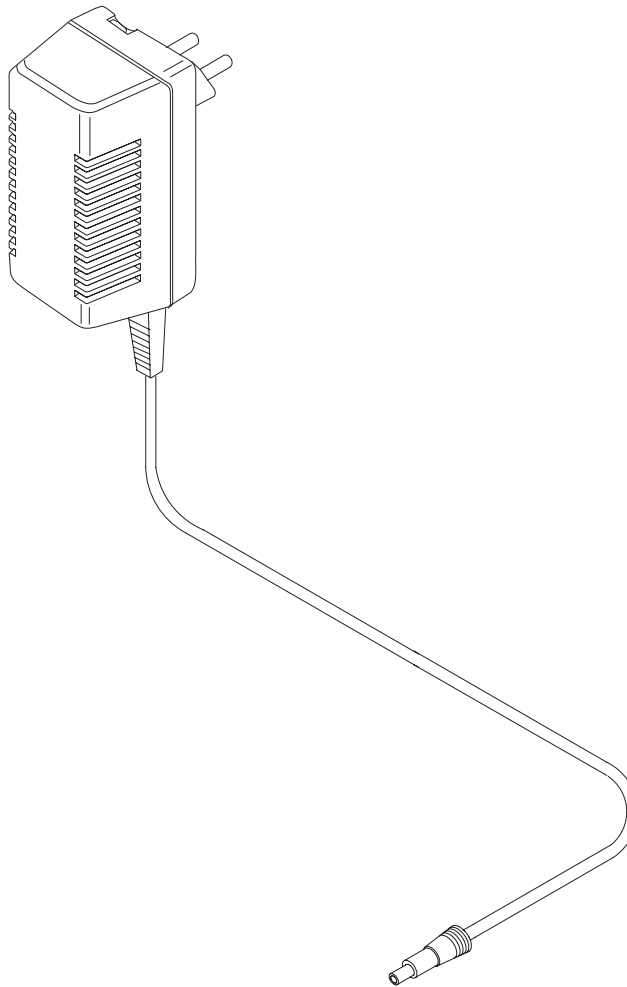
ACF-8 Universal Power Supply is used to power FPS-8. ACF-8 has 6 V DC and 2.1 A output.

### Product Code

ACF-8 Universal Power Supply:

0680032

### View of ACF-8





## FLA-10 POS (Point Of Sale) Flash Loading Adapter

FLA-10 POS Flash Loading Adapter is used in place of the phone's normal battery during service, to supply a controlled operating voltage.

### Product Code

FLA-10 POS Flash Loading Adapter: 0081346

### View of FLA-10



Note: During flashing power for the phone must be taken from FPS-8 via FLC-2 cable or from FLS-4S via XCS-1 cable.

## FLC-2 DC Cable

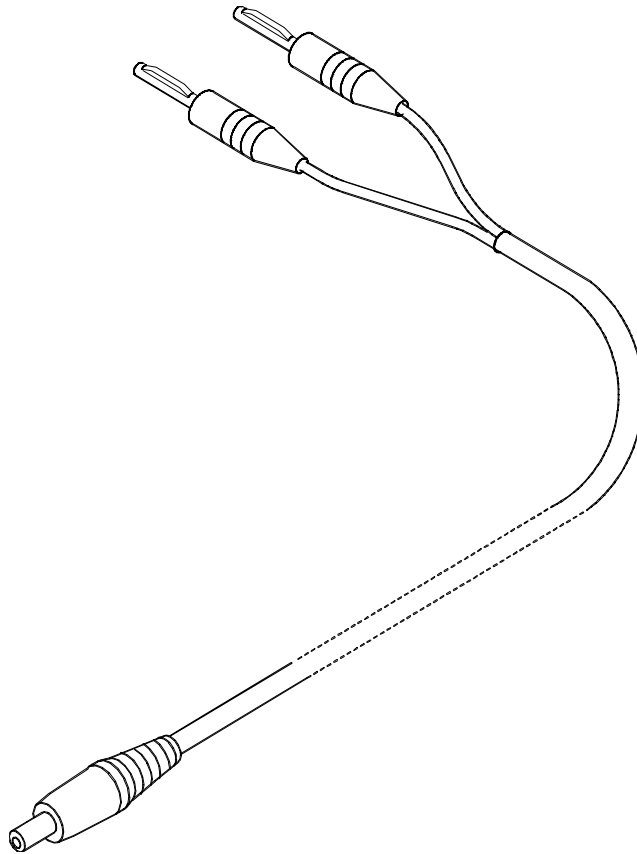
The FLC-2 is used to supply a controlled operating voltage.

### Product Code

FLC-2 DC Cable:

0730185

### View of FLC-2



## AXS-4 Service Cable

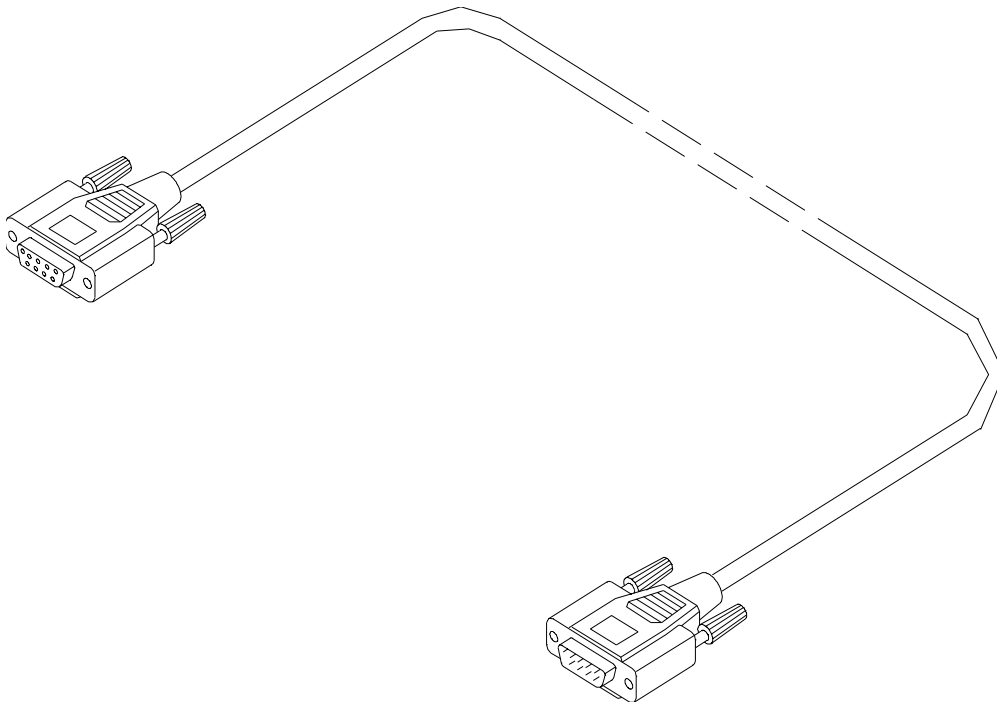
The AXS-4 D9-D9 Service Cable is used to connect two 9 pin D connectors e.g. between PC and FPS-8. Cable length is 2 meters.

### Product Code

AXS-4 D9-D9 Service Cable:

0730090

### View of AXS-4



## XCS-1 Service Cable

The XCS-1 Service Cable is used to connect FLS-4S to FLA-10.

### Product Code

XCS-1 Service Cable:

0730218

### View of XCS-1



## SW Security Device PKD-1

SW security device is a piece of hardware enabling the use of the service software when connected to the parallel (LPT) port of the PC. Without the dongle present it is not possible to use the service software. Printer or any such device can be connected to the PC through the dongle if needed.

*Caution: Make sure that you have switched off the PC and the printer before making connections!*

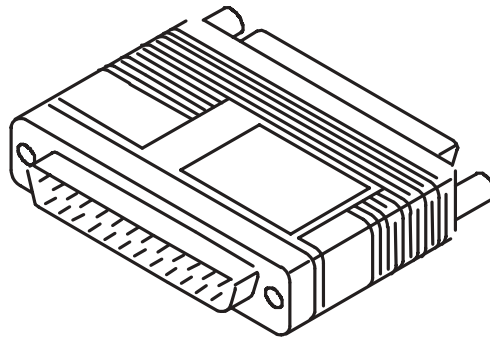
*Caution: Do not connect the PKD-1 to the serial port. You may damage your PKD-1!*

### Product Code

SW Security Device PKD-1:

0750018

### View of SW Security Device



## Dongle/Flash Device FLS-2D (Sales Pack)

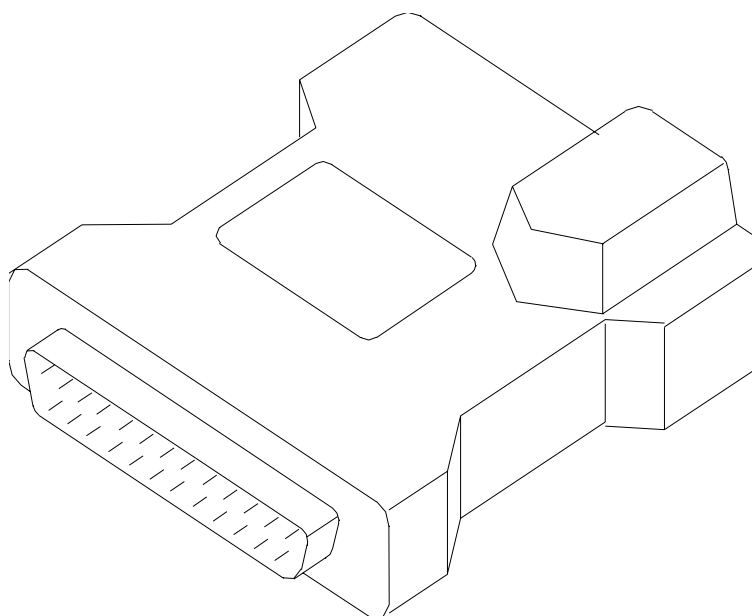
FLS-2D is a dongle and flash device incorporated into one package, developed specifically for POS use.

### Product Code

Sales Pack -APAC 0081290

Sales Pack - Europe/Africa 0081291

### View of FLS-2D



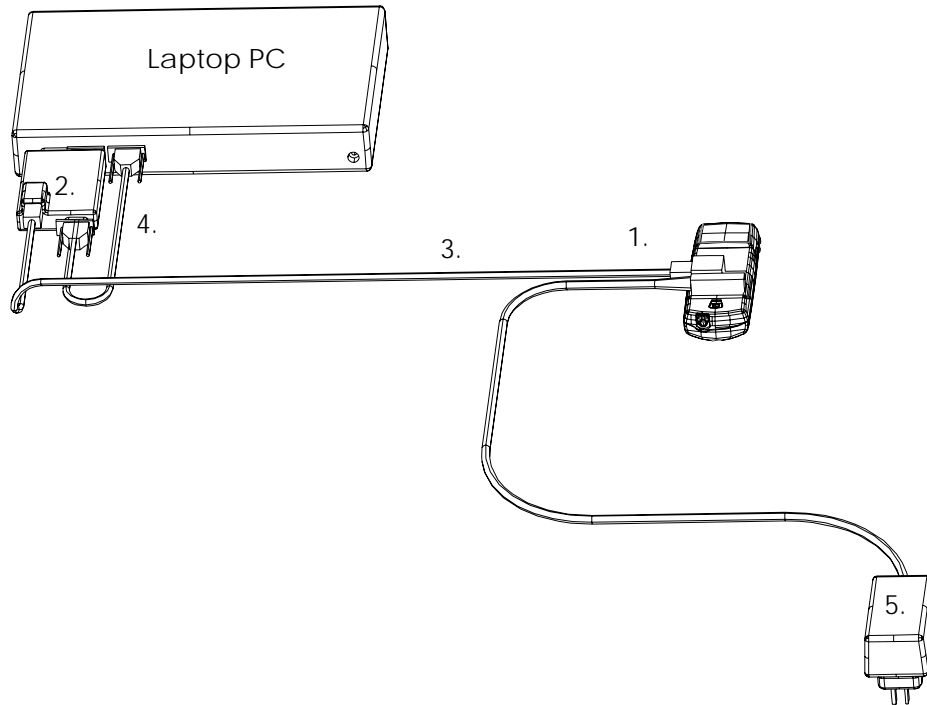
### Sales Pack Contents

Part No.	Description
0750142	FLS-2D Flash Device.
0730163	AXS-4U Cable.
0770177	Disk- Installation package, 16bit Dongle Drivers.
0770176	Disk - Installation package, 32bit Dongle Drivers.
0774120	Disk - Installation package for the FLE-5 Drivers.
0774123	Disk - Remote Update Application Installation Package.
0275405	Installation and User Guide
0275404	Registration Request Form

**Note:** in addition to this Sales Pack, a Service Cable will be required to connect the FLS-2D to the Product/Phone to be flashed, e.g. XMS-3, and a software package to run the flashing process.

The picture below shows how to connect the FLS-2 device and associated cables to the PC and Product/Phone.

**FLS-2D Connection Diagram**



1	Flash Battery Adapter	FLA-10	0081346
2	POS Flash Adapter	FLS-2D	0750130
	(Connected to parallel port)		
3	Modular Cable	XMS-3	0730174
4	D9-D9 Cable	AXS-4U	0730090
5	Travel Charger	ACP-8U	0271610

## PCS-1 Power Cable

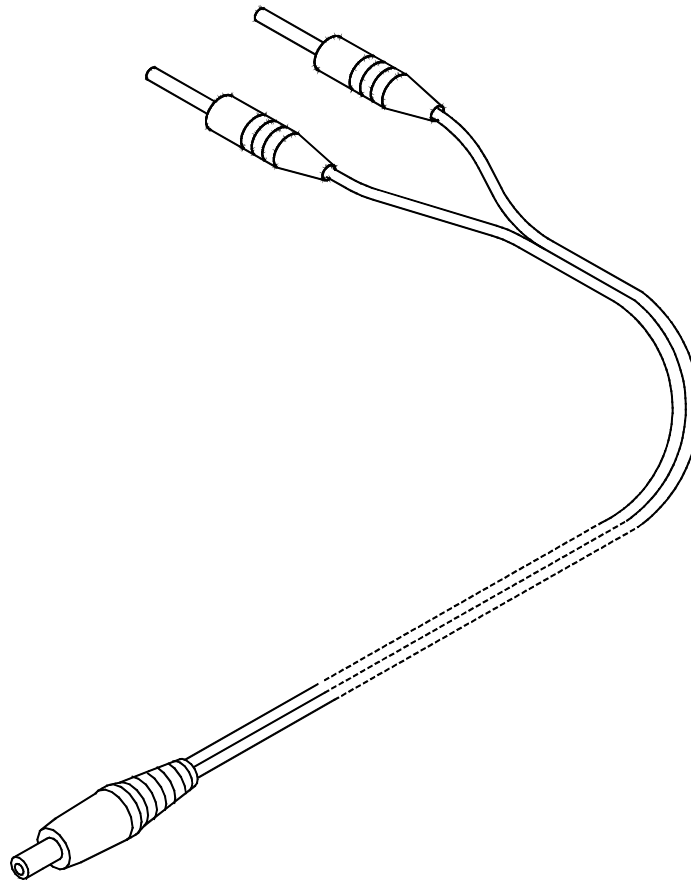
The PCS-1 Power Cable (DC) is used to connect, for example, JVB-1 to FPS-8.

### Product Code

PCS-1 Power Cable:

0730012

### View of PCS-1





## XRF-1 RF Cable

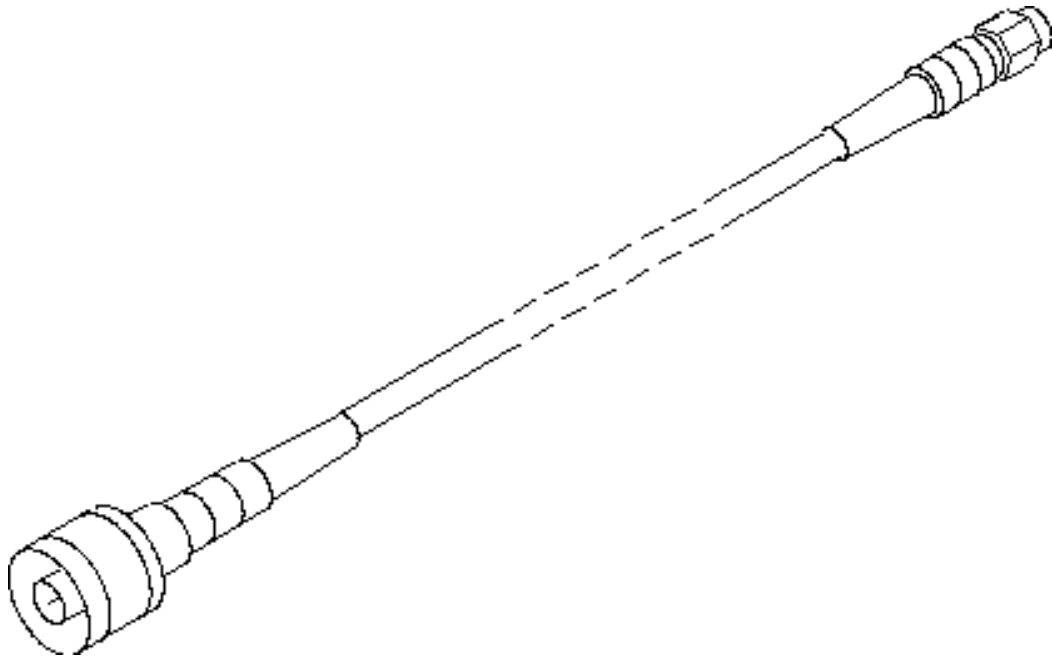
RF cable XRF-1 is used to connect e.g. Module Jig MJS-9 to RF measurement equipment.

### Product code

XRF-1 RF Cable:

0730085

### View of XRF-1



## DAU-9S MBUS Cable

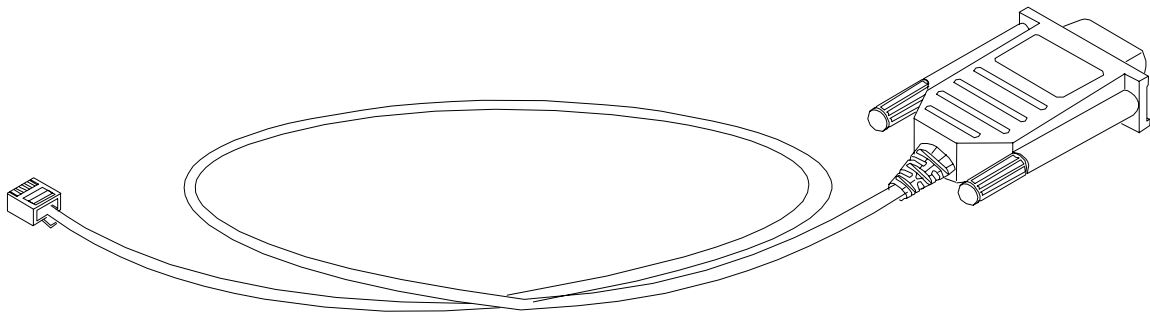
The MBUS Cable DAU-9S has a modular connector, and is used with between PC's serial port and e.g. the Module Jig MJS-9.

### Product Code

DAU-9S MBUS Cable:

0730108

### View of DAU-9S



## CA-5S DC Cable

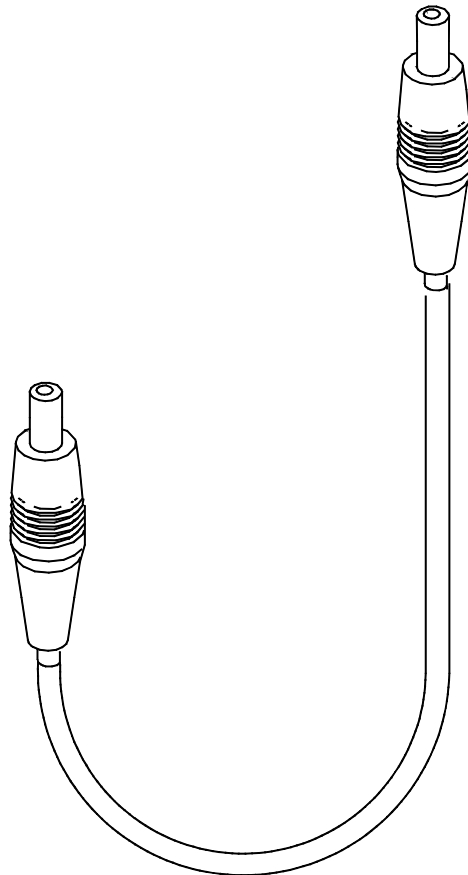
The DC Cable CA-5S is used to connect, for example, the JVB-1 to the phone.

### Product Code

CA-5S DC Cable:

0730283

### View of CA-5S



*Note: CA-5S cable resembles SCB-3, but is longer*

## XCS-4 Modular Cable

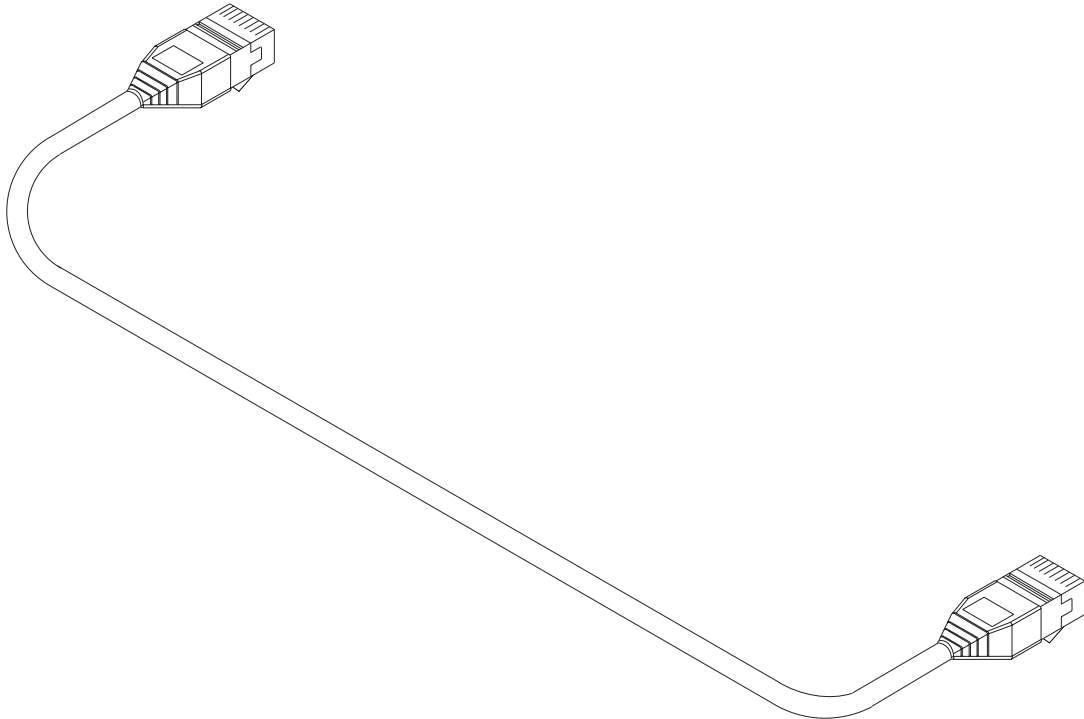
XCS-4 is a shielded cable (one specially shielded conductor) modular cable for flashing and service purposes.

### Product Code

XCS-4 Modular Cable:

0730178

### View of XCS-4



## Printer Cable

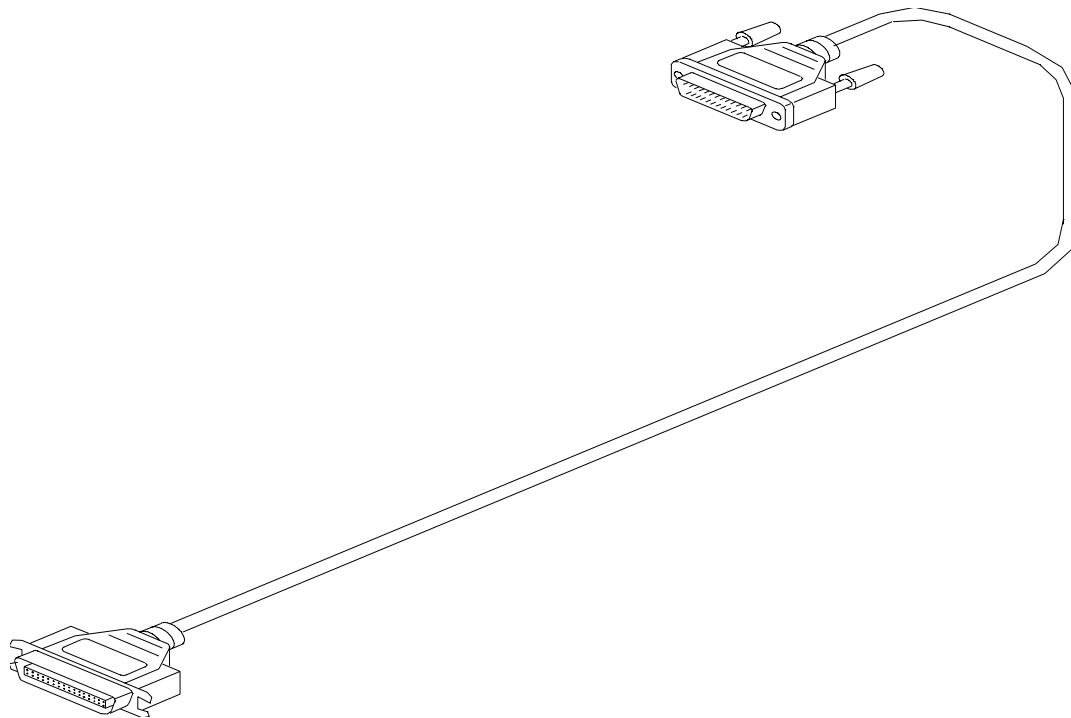
This cable is used to connect the PC to FPS-8.

### Product Code

Printer Cable:

0730029

### View of Printer Cable



## Other Service tools for NAM-2

### FLS-4S POS Flash Device

Sales pack includes ACF-8 Universal Power Supply

FLS-4S, POS flash dongle, for E/A area 0080541

FLS-4S, POS flash dongle, for APAC area 0080542

FLS-4S, POS flash dongle, for American area 0080543"

### JBU-6 Service Box

Service Box JBU-6 code (0770153)

### SCD-6 Pinset Cable

Pinset Cable SCD-6 Code (0080329) is a spare part for JBU-6.

### ALL-6 Adjustable locking lever for JBU-6

Adjustable locking lever for JBU-6: ALL-6 code 0770396 (replaces the locking lever in old JBU-6 service box, also use with NSM-5)

### RL-6 RF Coupler for testing

RL-6 code 0770172? RF Coupler for testing (not for tuning)

### XRS-3 RF cable for JBU-4

XRS-3 code 0730184 RF cable for JBU-4

### MJS-75 Soldering Jig

MJS-75 code 0770233 Soldering Jig

### SRT-3 Battery Connector Extractor Tool

SRT-3 code 0770226 Battery Connector Extractor Tool